

FIG 1

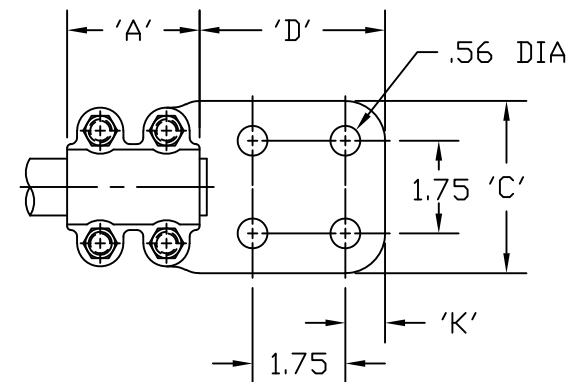


FIG 3

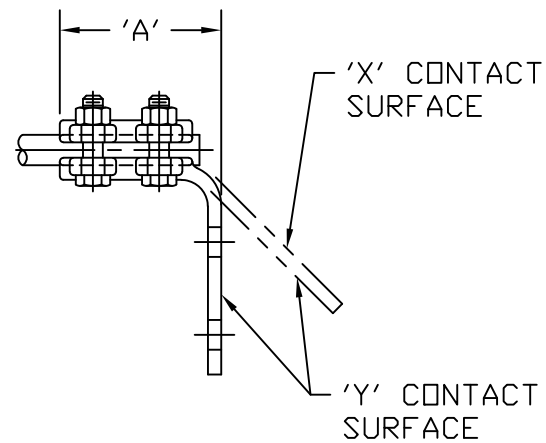


FIG 4

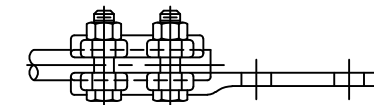



FIG 5


NOTES:

1. MATERIAL: BODY/CAP - BRONZE
HARDWARE - STAINLESS STEEL
2. SOME SIZES ARE AVAILABLE IN 45° AND 90° ANGLES. TO SPECIFY, ADD "-X" OR "-Y" AND "-45" OR "-90" AS A SUFFIX. (E.G. SWL-025-B-Y-90) SEE FIG 4
3. BRONZE HARDWARE CAN BE SPECIFIED BY ADDING THE SUFFIX "-ED"
4. A CENTERFORMED TONGUE CAN BE SPECIFIED BY ADDING THE SUFFIX "-CF." SEE FIG 5
5. TIN PLATED BODY AND CAP CAN BE SUPPLIED BY ADDING "TP" SUFFIX TO CAT. NO.
6. BRONZE NUT CAN BE SUPPLIED INSTEAD OF STAINLESS STEEL NUT BY ADDING THE SUFFIX "BN"

75246	8/6/2018	HG	HG	ANDERSON TOLERANCE CHART	 HUBBELL® POWER SYSTEMS TITLE TERMINAL CONNECTOR V-GROOVE
EC #	DATE	CHG BY	RESP ENG		
DESC OF DWG: CHANGED NOTES; REMOVED 30° TERMINAL ADD NOTE 5 ADD NOTE 6 3 AUTOCADS TO 1 REASON (S) FOR CHANGE: -- DISPOSITION OF MAT'L: --				CONFIDENTIAL: THIS DRAWING AND ITS CONTENTS ARE CONFIDENTIAL AND THE EXCLUSIVE PROPERTY OF HUBBELL POWER SYSTEMS. NO PUBLICATION, DISTRIBUTION OR COPIES MAY BE MADE WITHOUT THE WRITTEN CONSENT OF HUBBELL POWER SYSTEMS. HUBBELL POWER SYSTEMS UNPUBLISHED ALL RIGHTS RESERVED UNDER THE COPYRIGHT LAWS.	SIZE A DWG NO. C-2829 CAT / PART / ASSY NO. SWL-XXX-X REV 16
					DO NOT SCALE THIS DRAWING DRN BY CD DATE 12/05/52 SHEET 1 OF 3


CATALOG NUMBER	CABLE RANGE		FIG NO	DIMENSIONS IN INCHES										PACKAGING	
	MIN	MAX		A	B	C	D	E	F	J	K	L	BOX	PALLET	
SWL-022-A	#6 SOL	2/0 STR	1	2.50	2.00	1.50	1.75	0.25	0.62	0.38	0.75	4.25		S8499	
SWL-022-B	#6 SOL	2/0 STR	2	2.50	1.94	1.50	3.25	0.25	0.81	0.38	0.62	5.75		S8499	
SWL-022-B2	#6 SOL	2/0 STR	2	2.50	1.95	2.00	3.25	0.25	0.81	0.38	0.62	5.75		S8499	
SWL-022-C	#6 SOL	2/0 STR	3	2.50	2.00	3.00	3.12	0.25	0.81	0.38	0.62	5.88		S8499	
SWL-025-A	#4 SOL	250 MCM	1	2.75	2.00	1.50	1.75	0.25	0.75	0.38	0.75	4.50		S8499	
SWL-025-B	#4 SOL	250 MCM	2	2.75	1.95	1.50	3.25	0.25	0.88	0.38	0.62	6.00	1037220000	S8499	
SWL-025-B2	#4 SOL	250 MCM	2	2.75	1.95	2.00	3.25	0.25	0.88	0.38	0.62	6.00		S8499	
SWL-025-C	#4 SOL	250 MCM	3	2.75	1.95	3.00	3.25	0.25	0.88	0.38	0.62	6.50		S8499	
SWL-050-A	1/0 SOL	500 MCM	1	3.12	2.12	1.25	1.25	0.25	0.81	0.38	0.75	5.50		S8499	
SWL-050-A-X/Y	1/0 SOL	500 MCM	1	2.75	2.06	1.75	1.75	0.25	-	0.38	0.75	-		S8499	
SWL-050-B	1/0 SOL	500 MCM	2	2.75	2.12	1.50	3.25	0.38	0.94	0.38	0.62	6.00		S8499	
SWL-025-C-X/Y-90	#4 SOL	250 STR	3	3.00	1.88	3.00	3.25	0.25	-	0.38	0.62	-		S8499	
SWL-050-B2	1/0 SOL	500 MCM	2	2.75	2.06	2.00	3.25	0.38	0.94	0.38	0.62	6.25		S8499	
SWL-050-B2-C/P-30	1/0 SOL	500 MCM	2	2.75	2.06	2.00	3.25	0.38	-	0.38	0.62	6.25		S8499	
SWL-050-C	1/0 SOL	500 MCM	3	2.75	2.12	3.00	3.25	0.31	0.94	0.38	0.62	6.00		S8499	
SWL-050-D	1/0 SOL	500 MCM	3	3.75	2.12	4.00	4.25	0.25	1.00	0.38	1.12	8.00		S8499	
SWL-080-A	2/0 SOL	800 MCM	1	4.00	2.50	1.50	1.75	3.10	1.12	0.38	0.75	5.75		S8499	
SWL-080-B	2/0 SOL	800 MCM	2	4.25	2.44	1.50	3.00	0.31	1.12	0.38	0.62	7.25		S8499	
SWL-080-B2	2/0 SOL	800 MCM	2	4.00	2.50	2.00	3.25	0.31	1.12	0.38	0.62	7.25		S8499	
SWL-080-C	2/0 SOL	800 MCM	3	4.25	2.44	3.00	3.00	0.31	1.12	0.38	0.62	7.25		S8499	
SWL-080-D	2/0 SOL	800 MCM	3	4.00	2.50	4.00	4.25	0.31	1.12	0.38	1.12	8.25		S8499	
SWL-025-B2-CF	#4 SOL	250 MCM	2	2.75	2.00	2.00	3.25	0.25	-	0.38	0.62	-		S8499	
SWL-050-B2-CF	1/0 SOL	500 MCM	2	3.75	2.00	2.00	3.25	0.25	-	0.38	0.62	-		S8499	
SWL-050-D	1/0 SOL	500 MCM	3	3.75	2.06	4.00	4.25	0.25	1.00	0.38	1.12	8.00		S8499	



75246	8/6/2018	HG	HG	ANDERSON TOLERANCE CHART	 HUBBELL® POWER SYSTEMS
EC #	DATE	CHG BY	RESP ENG		
DESC OF DWG: CHANGED NOTES; REMOVED 30° TERMINAL ADD NOTE 5 ADD NOTE 6 3 AUTOCADS TO 1 REASON (S) FOR CHANGE: -- DISPOSITION OF MAT'L: --				CONFIDENTIAL: THIS DRAWING AND ITS CONTENTS ARE CONFIDENTIAL AND THE EXCLUSIVE PROPERTY OF HUBBELL POWER SYSTEMS. NO PUBLICATION, DISTRIBUTION OR COPIES MAY BE MADE WITHOUT THE WRITTEN CONSENT OF HUBBELL POWER SYSTEMS. HUBBELL POWER SYSTEMS UNPUBLISHED ALL RIGHTS RESERVED UNDER THE COPYRIGHT LAWS.	TERMINAL CONNECTOR V-GROOVE
SIZE		DWG NO.	CAT / PART / ASSY NO.	REV	
B		C-2829	SWL-XXX-X	16	
DO NOT SCALE THIS DRAWING		DRN BY JVR	DATE 02/07/02	SHEET 2 OF 3	

CATALOG NUMBER	CABLE RANGE		FIG NO	DIMENSIONS IN INCHES										PACKAGING	
	MIN	MAX		A	B	C	D	E	F	J	K	L	BOX	PALLET	
SWL-050-A-X/Y-45	1/0 SOL	500 MCM	1	2.75	2.06	1.50	1.75	0.25	-	0.38	0.75	-		S8499	
SWL-022-A-X/Y-90	#6 SOL	2/0 STR	1	2.75	1.94	1.50	1.62	0.25	-	0.38	0.75	-		S8499	
SWL-022-B-X/Y-30	#6 SOL	2/0 STR	2	2.50	1.94	1.50	3.12	0.25	-	0.38	0.62	-		S8499	
SWL-022-B-X/Y-45	#6 SOL	2/0 STR	2	2.50	2.00	1.50	3.25	0.25	-	0.38	0.62	-		S8499	
SWL-022-B-X/Y-90	#6 SOL	2/0 STR	2	2.75	2.00	1.50	3.25	0.25	-	0.38	0.62	-		S8499	
SWL-022-B2-X/Y-90	#6 SOL	2/0 STR	2	2.75	2.00	2.00	3.25	0.25	-	0.38	0.62	-		S8499	
SWL-022-C-X/Y-30	#6 SOL	2/0 STR	2	2.50	2.00	3.00	3.25	0.25	-	0.38	0.62	-		S8499	
SWL-022-C-X/Y-45	#6 SOL	2/0 STR	3	2.50	1.94	3.00	3.25	0.25	-	0.38	0.62	-		S8499	
SWL-025-B-Y-90-SCE	#4 SOL	250 MCM	2	2.75	2.00	1.50	5.00	0.25	-	0.38	0.62	-		S8499	
SWL-022-C-X/Y-90	#6 SOL	2/0 STR	3	2.75	1.94	3.00	3.25	0.25	-	0.38	0.62	-		S8499	
SWL-025-A-X/Y-90	#4 SOL	250 STR	1	3.00	1.88	1.50	1.75	0.25	-	0.38	0.75	-		S8499	
SWL-025-B-X/Y-90	#4 SOL	250 STR	2	3.00	1.88	1.50	3.25	0.25	-	0.38	0.62	-		S8499	
SWL-025-B-X/Y-45	#4 SOL	250 STR	2	2.75	1.88	1.50	3.25	0.25	-	0.38	0.62	-		S8499	
SWL-025-B2-X/Y-90	#4 SOL	250 STR	2	3.00	1.94	2.00	3.25	0.25	-	0.38	0.62	-		S8499	
SWL-025-C-X/Y-15	#4 SOL	250 STR	3	2.75	1.95	3.00	3.25	0.25	-	0.38	0.62	-		S8499	
SWL-025-C-X/Y-45	#4 SOL	250 MCM	3	2.75	1.88	3.00	3.25	0.25	-	0.38	0.62	-		S8499	
SWL-050-B-X/Y-30	1/0 SOL	500 MCM	2	2.75	2.12	1.50	3.25	0.25	-	0.38	0.62	-		S8499	
SWL-050-B-X/Y-45	1/0 SOL	500 MCM	2	2.75	2.12	1.50	3.25	0.25	-	0.38	0.62	-		S8499	
SWL-050-B-X/Y-90	1/0 SOL	500 MCM	2	4.00	2.12	1.50	3.25	0.25	-	0.38	0.62	-		S8499	
SWL-050-B2-X/Y-45	1/0 SOL	500 MCM	2	2.75	2.12	2.00	3.25	0.25	-	0.38	0.62	-		S8499	
SWL-050-B2-X/Y-90	1/0 SOL	500 MCM	2	4.00	2.12	2.00	3.25	0.25	-	0.38	0.62	-		S8499	
SWL-050-C-X/Y-45	1/0 SOL	500 MCM	3	2.75	2.06	3.00	3.25	0.25	-	0.38	0.62	-		S8499	
SWL-050-C-X/Y-90	1/0 SOL	500 MCM	3	3.00	2.06	3.00	3.25	0.25	-	0.38	0.62	-		S8499	



75246	8/6/2018	HG	HG	 HUBBELL® POWER SYSTEMS
EC #	DATE	CHG BY	RESP ENG	
DESC OF DWG: CHANGED NOTES; REMOVED 30° TERMINALS ADD NOTE 5 ADD NOTE 6 3 AUTOCADS TO 1 REASON (S) FOR CHANGE: -- DISPOSITION OF MAT'L: --				ANDERSON® TOLERANCE CHART CONFIDENTIAL: THIS DRAWING AND ITS CONTENTS ARE CONFIDENTIAL AND THE EXCLUSIVE PROPERTY OF HUBBELL POWER SYSTEMS. NO PUBLICATION, DISTRIBUTION OR COPIES MAY BE MADE WITHOUT THE WRITTEN CONSENT OF HUBBELL POWER SYSTEMS. HUBBELL POWER SYSTEMS UNPUBLISHED ALL RIGHTS RESERVED UNDER THE COPYRIGHT LAWS.
TITLE TERMINAL CONNECTOR C-GROOVE				SIZE B DWG NO. C-2829 CAT / PART / ASSY NO. SWL-XXX-X REV 16
DO NOT SCALE THIS DRAWING				DRN BY JVR DATE 02/07/02 SHEET 3 OF 3